



Aqua Creek Products

THE LEADERS IN RECREATION, FITNESS, AND ABILITY!



Euro Version only

ADA the Affordable Way Item# F-411RPL-AT1

The Ranger Lift is an economical, third party verified ADA compliant lift that maintains Aqua Creek's standards for durability and reliability.

The Ranger features a 350 pound weight capacity while maintaining a sleek, low profile design. This lift is ideal for use on smaller hotel and motel pools. It is also a great choice for backyard pool enthusiasts who enjoy their independence.



Available in a variety of accent colors
(blue plastics standard)



U.S. Patent No.
7,249,386 B2

U.S. Patent No.
D507,769 S



Transport cart

FEATURES:

- 350 lb (159 kg) weight capacity
- Independently verified to ADA standards
- Unique low profile and small footprint
- Adjustable footrest & lap belt
- Flip-up armrests
- Water resistant handset
- Rechargeable battery with wall mount charger
- 5 year structural warranty
- 5 pro-rated electronics warranty

OPTIONS/ACCESSORIES:

ITEM #	DESCRIPTION
F-ASAPRL	Adjustable height seat pole (adds up to 5" of seat height)
F-04CAJP	Anchor kit, standard with 4" inserts
F-08CAJP	Anchor kit, standard with 8" inserts for use with pavers
F-046QAB-AT1	Anchor kit, quick attach with 4" inserts
F-40220-AT1	Anchor kit, wood deck applications
F-120PPC	Cover, standard lockable, blue
F-120PPC-T	Cover, standard lockable, tan
F-422PLH-2	Headrest
F-105LAR	Pull-out leg rest
F-044SCH	Solar charging station
F-428HT	Transport cart



Shown with headrest and pull-out leg rest options

ADA COMPLIANT

strack Patienten- und Pflegebedarf

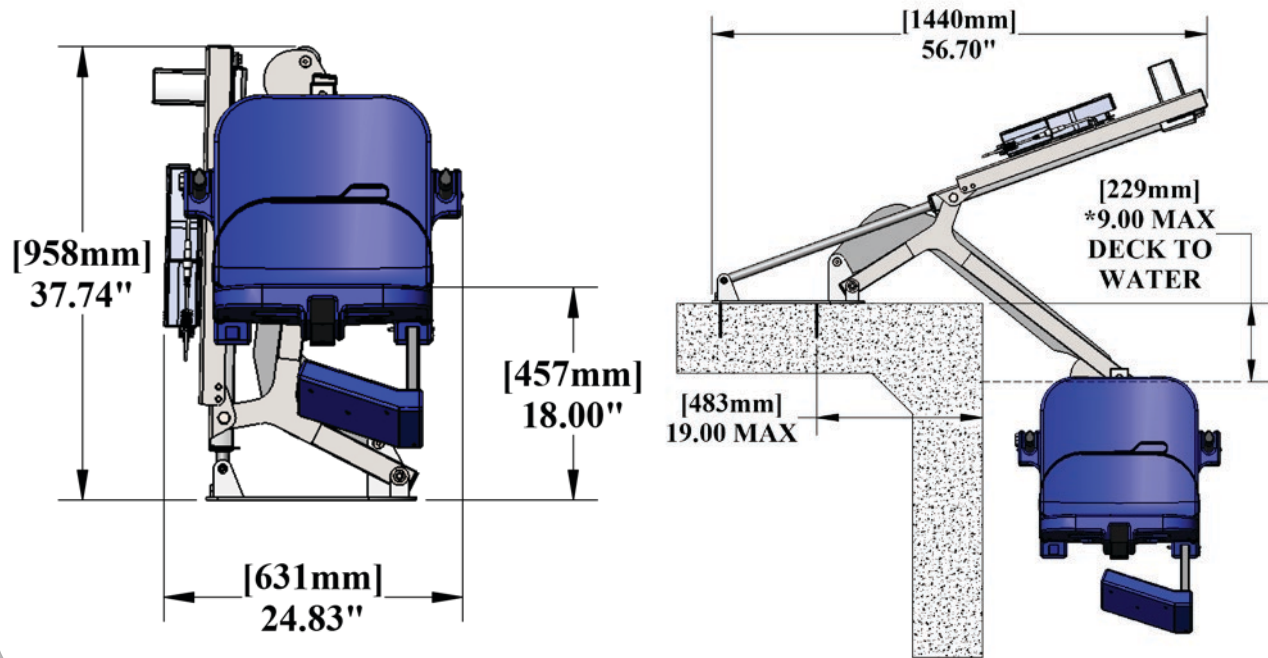
Strack AG
Ebnatstrasse 125
8200 Schaffhausen

052 630 31 60
www.strack.ch
info@strack.ch

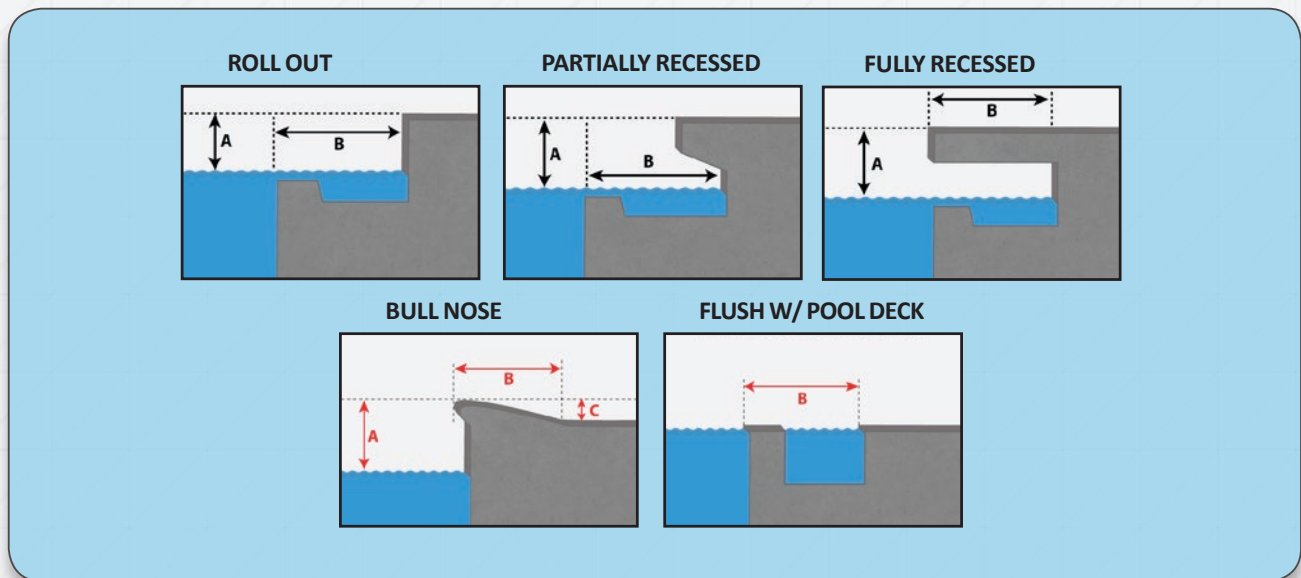
The Ranger Lift

The Ranger Pool Lift

PRODUCT SPECIFICATIONS



APPLICABLE POOL PROFILES



To confirm specific application go to www.aquacreek.com for our **Pool Lift Selector**



Become a member of our new **Dealer and Architect** page. Access to CAD blocks, CSI specs and sales materials.